

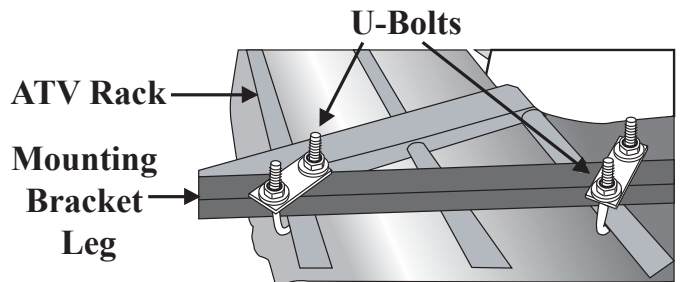


Instructions for ATV Spreader

THANK YOU for your purchase of the ATV Spreader, a top quality Moultrie product. Please read this sheet before assembling the unit. If you should have any questions about this or any other Moultrie product, please contact us using the information on the reverse side of this sheet. To help us to better serve you, please complete and mail the enclosed Warranty Card.

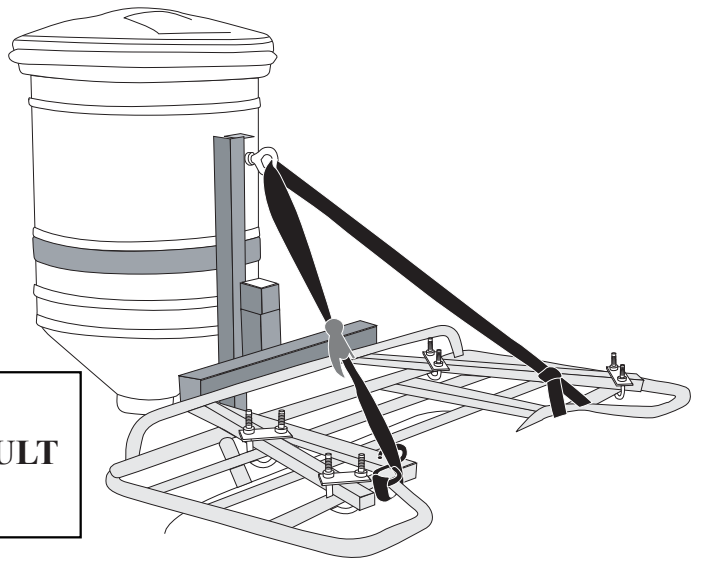
I MOUNTING BRACKET TO ATV RACK

Secure provided **Mounting Bracket** to the rack of your ATV using provided **U-Bolts**, washers, and nuts. Rotate **Mounting Bracket Legs** to a position that will allow a **U-Bolt** to be connected around each end of the **Mounting Bracket Leg** as shown.



II ATTACHING SPREADER AND STRAP

- 1 Slide the square hitch on the **ATV Spreader** frame into the mating receiver on the **Mounting Bracket**
- 2 Thread provided **Ratchet Strap** through eyebolt on back of **Spreader Frame**. Place **Ratchet Strap** S-hooks around the front of your **ATV rack** (close to seat). Adjust tension on **Ratchet Strap** until firm.



FAILURE TO PROPERLY CONNECT AND MONITOR THE RATCHET STRAP MAY RESULT IN DAMAGE TO THE ATV OR SPREADER

III CONNECTING POWER CABLE

CAUTION: WEAR EYE PROTECTION

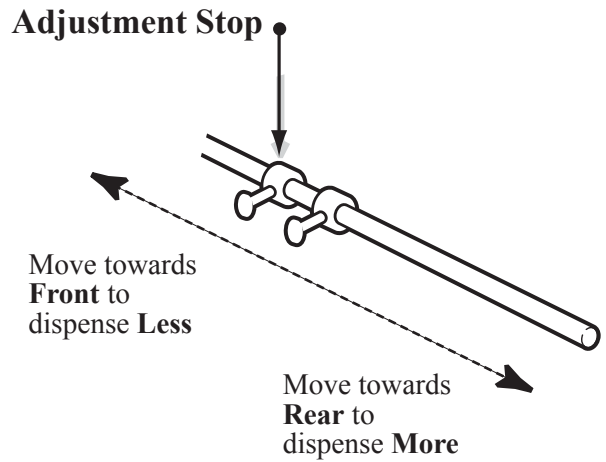
Make sure the power switch is in the **OFF** position. Connect one end of the provided **Power Cable** to the motor via the black connector. Connect the other end of the **Power Cable** to your **ATV's** battery by attaching the **Red Alligator Clip** to the positive terminal (+), and the **Black Alligator Clip** to the negative (-) terminal.

IV ADDING MATERIAL AND ADJUSTING STRAP

- 1 Add desired material such as feed, fertilizer, seed, etc. to hopper and attach lid.
- 2 With the material loaded, verify that **Ratchet Strap** is tight enough to hold the hopper body perpendicular to the **ATV rack**. Tighten as necessary.

V ADJUSTING MATERIAL AMOUNT

The **Adjustment Stop** allows you to set the amount of material dispensed. Move **Adjustment Stop** towards the **front** of the ATV to dispense less material. Move the Adjustment Stop towards the **rear** of the ATV to dispense more material.

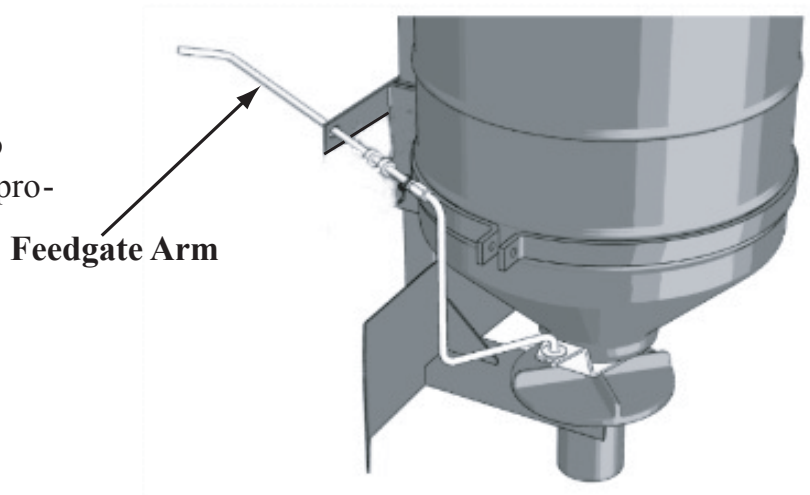


VI OPERATING UNIT

 CAUTION: WEAR EYE PROTECTION

1 Turn the **Motor Switch** to the **ON** position.

2 To spread material, **Pull** the Spreader's **Feedgate Arm** towards you to Open the feedgate and **Push** arm away from you to Close. Reposition Adjustment Stop as appropriate.



VII CLEANING AND STORING UNIT

NOTE: FERTILIZER IS EXTREMELY CORROSIVE. After spreading material, completely wash and dry ATV Spreader. A light coat of oil on all metal parts and motor will help prevent rusting and corrosion.

TIPS & POINTERS

1: (Q) Can I leave the ATV Spreader connected to my ATV when it is not in use? (A) Yes, however to reduce the possibility of damage to the spreader, it is highly recommended that the hopper is empty.

2: (Q) Should I operate my ATV differently when the ATV Spreader is loaded?

(A) Yes, the additional weight in the rear of the ATV will cause the front-end of the ATV to be lighter. Care must be taken when traveling up and down hills due to this shift in weight.

3: (Q) What is the best way to set the dispensing amount? (A) Set the adjustment stop to the position in which you feel will provide the best coverage. Turn on spreader and open the Feedgate. Spread material for about 20 feet and then walk back to verify coverage. Reposition Adjustment Stop as appropriate.

4: (Q) Can I get replacement parts for my ATV Spreader? (A) Yes, you may purchase the following Moultrie replacement parts.

- Bolt Pack** MFHP81564
- Motor** MFHP81747
- Wire Harness** MFHP81744
- Spin Plate** MFHP81145



Our Service Department will gladly answer any questions you have. Call 205-664-6700 or 800-653-3334, Monday - Friday, 8:00 AM to 5:00 PM CST. www.moultriefeeders.com