

B&G

FLEX-A-LITE 2600 FOGGER



Color may vary in different regions

User Manual

SAFETY

Please ensure you have read and fully understood the safety precautions before operating this appliance. Instructions for use of this product will vary depending on chemical applications. Always read the product label when preparing your solution.

- Always comply with any requirements for personal protective equipment (PPE) as required by the formulation label.
- This appliance is to be kept out of reach from children. However, it can be used by children aged 8 years and above, as well as persons with reduced physical, sensory or mental capacities or lack of experience and knowledge, provided they have been given supervision or instruction concerning use of the appliance in a safe way, and understand the hazards involved.
- Children should not play with, clean, or maintain the appliance.
- This fogger can be used with water-based, oil-based, and solvent-based formulations.
- Never direct fogging at live electrical items, animals, humans, etc. Remember to cover aquariums before fogging takes place.
- If the use of an extension lead/cord is required, ensure it is correctly rated for the product and is grounded. Only use an extension lead/cord which is properly rated for voltage, current, length, and which is free from nicks, cracks, and other signs of prior abuse. Replace damaged or worn electric lead/cord(s) immediately.
- Do not use a fogger that is broken or damaged in any way. Do not alter the fogger by adding or removing parts.
- Do not restrict the motor blower air intake area (located bottom of the unit).

DESCRIPTION

This heavy-duty fogger is ideal for pest management and disinfection because of its compact size, stability, and capacity. The droplet size varies from a power-mist to ultra low volume (ULV), depending on the flow rate and formulation, and is easily selected with the adjustment knob on the nozzle (see table below). Droplet spray extends a minimum of 13 feet (4 meters) from the nozzle and the flexible hose may be used to direct the fog for precision application.

BEFORE USE

Calibrate

- Turn the adjustment knob (at the end of the nozzle) to the right until closed/off.
- Push down on base of knob and turn to align the point of the knob with groove on the nozzle (Figures 1 and 2).
- Release base - this will set the point.
- Re-adjust to zero with every use.



Figure 1

Fill

- Do not add more than 1.5 gallons (5.7 litres) liquid total to the tank.
- Do not mix chemical in the tank; pre-mix and then add to the tank.
- Water-based, oil-based, and solvent-based formulations are appropriate.
- Mix all chemicals according to label directions.



Figure 2

Placement

- Never place fogger directly on floor.
- Elevate to keep dust and moisture out of fogger.

FLEX-A-LITE 2600 FOGGER

User Manual



OPERATION

- Follow all "Before Use" instructions above.
- Connect unit to the designated electrical supply:
 - Do not connect 120V units to 230V power.
 - Do not connect 230V units to 120V power.
 - If using an extension lead/cord, ensure it's 3-prong and grounded.
- Turn on fogger by moving switch to "on."
- Turn the adjustment knob from ¼ of a turn to fully open depending on what droplet size is appropriate for your application (Figure 3). Note that droplet size varies with temperature and viscosity of the material being dispensed.
- Fog may be directed to treatment areas using the flexible hose.
- IMPORTANT:** When the application is finished and there is any liquid in the tank, first close the adjustment knob and second, turn off the power (Figure 4). Only then, open the tank cap. Failure to follow this sequence can result in liquid dripping from the hose into the motor, causing damage to the motor. Liquid found in the motor will VOID the warranty.



Figure 3

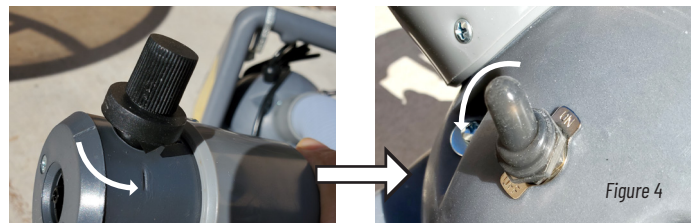
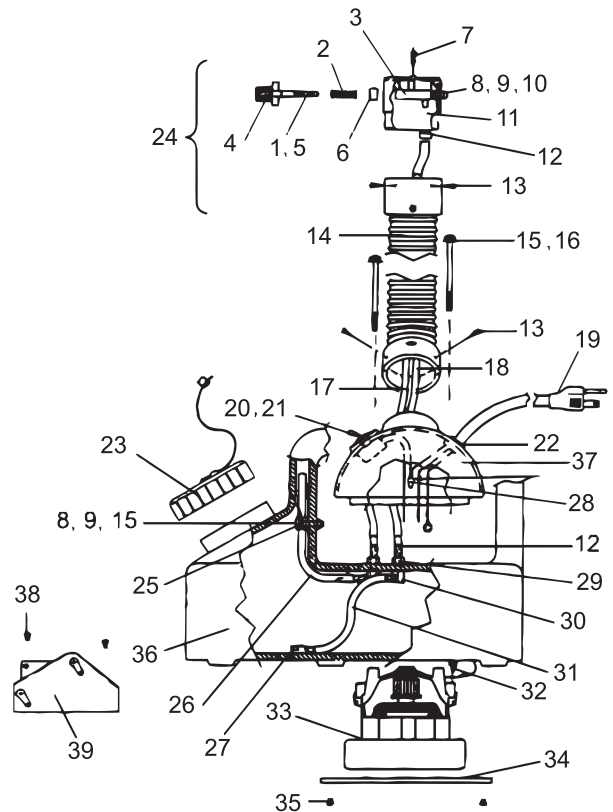


Figure 4

Setting	Description	Droplet Size (VMD, in microns)	Flow Rate (oz/ml per min)
¼ Turn	Fog - Tiny droplets, not visible	40	0.33/9.76
½ Turn	Fog - Tiny droplets, not visible	44	0.75/22.19
¾ Turn	Mist - Larger droplets, visible	52	1.2/35.50
1 Turn	Mist - Larger droplets, visible	56	2.5/73.96

PARTS AND PART LIST



Number	Description	Legacy Part Number	Order Number
1	Clip	29103230	1608003992
2	Spring	29103240	1608003993
3	Venturi	95151362	1608004427
4	Knob and rod	29103225	1208001339
5	O-Ring	29103220	1608003991
6	Sleeve	29103235	1208001340
7	Screw	29108215	1608004029
8	Screw	29103292	1608004000
9	Hex nut	29103297	1608004003
10	Spacer	29103299	1608004005
11	Nozzle	29103293	1608004001
12	Spring clamp	22071433	1608003887
13	Screw	29103294	1608004002
14	Flex hose 18" (46 cm)	29108247	1208001381

FLEX-A-LITE 2600 FOGGER

User Manual




14	Flex hose 36" (91 cm)	29108305	1208001387
14	Flex hose 48" (122 cm)	29108268	1208001386
15	Spacer	29108123	1608004014
16	Screw	29108121	1608004013
17	Pressure tube	29109182	1208001360
18	Supply tube 18" (46 cm)	29108188	1208001365
18	Supply tube 36" (91 cm)	29108189	1208001366
18	Supply tube 48" (122 cm)	29108184	1208001361
19	110v cord standard	62031-1	1608005005
19	230V cord without plug	29103275	1208001342
19	230V cord EU	62058	1608002814
19	230V cord UK	62059	1608002815
20	Switch	29108135	1608004015
20	230v switch	29103270	1608003995
21	Switch boot	23089190	1608003922
22	Strain relief	29108165	1608004020
23	Cap and O-ring	22071003	1208001279
24	Nozzle assembly (includes parts 1-13)	29108246	1208001380
25	Tube retainer	29103298	1608004004
26	Item #17		
27	Strainer	29108140	1608004016
28	Wire connector	29108160	1608004024
29	Grommet	29108156	1608004021
30	Open		
31	Item #18		
32	EMI Filter	62047-1	1208002361
33	Motor 110V	29108190	1208001367
33	Motor 230V	29108195	1208001372
34	Motor guard (includes air filter)	29108105	1208001356
35	Screw	29108110	1608004012
36	Tank Grey	95122955	1208001550
36	Tank Lt Blue	95122954	1208001549
37	Dome Grey 110V	95122949	1208001547

37	Dome Lt Blue 230V	95122942	1208001542
38	Screw	22071045	1608003880
39	Mount plate	29103295	1208001344

WIRING INSTRUCTIONS *(UK and EU Only)*

As the colors of the wire in the mains lead of this appliance may not correspond with the color marking identifying the terminals on your plug, proceed as follows:

- The wire which is colored BLUE must be connected to the terminal which is marked with the letter N.
- The wire which is colored BROWN must be connected to the terminal which is marked with the letter L.
- The wire which is colored YELLOW & GREEN must be connected to the terminal which is marked with the letter E or the symbol .

United Kingdom

This appliance is supplied fitted with a BS1363 mains plug and a BS1362 10A fuse. If this plug is removed from the appliance, please ensure it is disposed of safely as a disconnected plug is dangerous if reconnected to the mains. If any other type of plug is used, a 10A fuse must be fitted.

European Union

This appliance is supplied fitted with a Schuko mains plug. If this plug is removed from the appliance, please ensure it is disposed of safely as a disconnected plug is dangerous if reconnected to the mains.

TROUBLESHOOTING

Problem	Solution
Fog or mist is weak.	Tighten the tank cap.
Liquid forms around the base of the motor housing, around mounting screws.	Unit may have been operating too long and fog droplets in the air are forming on the metal screws.
Fogger is operating erratically; frequently turning on and off.	Inspect the electric cord and the plug for damage. Motor may be damaged from moisture; replace motor.
Fogger becomes very warm/hot during normal operation.	Remove the lower plate (motor guard) and clean the filters with a nylon brush.
Fogger leaks around cap.	Rinsing and drying is probably the most effective cleaning technique.

DISPOSAL

United Kingdom / European Union

Private UK/ EU households: Information on Disposal for Users of WEEE



Figure 5

This symbol (Figure 5) on the product(s) and / or accompanying documents means that used electrical and electronic equipment (WEEE) should not be mixed with general household waste.

For proper treatment, recovery and recycling, please take this product (s) to designated collection points where it will be accepted free of charge.

Alternatively, in some countries, you may be able to return your products to your local retailer upon purchase of an equivalent new product. Disposing of this product correctly will help save valuable resources and prevent any potential negative effects on human health and the environment, which could otherwise arise from inappropriate waste handling. Please contact your local authority for further details of your nearest designated collection point.

Penalties may be applicable for incorrect disposal of this waste, in accordance with your national legislation.

Professional Users in the European Union

If you wish to discard electrical and electronic equipment (EEE), please contact your dealer or supplier for further information.

All Other Countries

This symbol is only valid in the European Union (EU). If you wish to discard of this product, please contact your local authorities or dealer and ask for the correct method of disposal.

WARRANTY

Pelsis products are designed and manufactured to the highest standards and deliver high-quality performance, ease of use and ease of installation. If you encounter any difficulties while using your product, we recommend that you first consult the user manual or the information in the support section of our website. In the unlikely event of a fault, please contact your retailer or distributor for further warranty information.

Any warranty claims must be supported by proof of purchase within the warranty period (product dependent), the following exclusions apply:

- Normal wear & tear
- Damage caused by abuse, misuse, alterations, not following the instructions in the instruction manual or not completing the recommended maintenance.

This warranty does not affect your statutory rights.

CONTACT

Contact your local distributor or Pelsis country-specific location for information on spares and service.

US: B&G Equipment, 135 Region South, Jackson, GA, 30233, USA

Contact Number: 1-800-544-8811

Email Address: CustomerService@BGEquip.com

UK: Pelsis Ltd, Sterling House, Grimbold Crag Close, Knaresborough, HG5 8PJ, UK.

Contact Number: +44 (0) 800 988 5359

Europe: Pelsis Belgium NV, Industrieweg 15, 2880, Bornem, Belgium.

Contact Number: +32 (0) 3 886 22 11

All Other Countries: B&G Equipment, 135 Region South, Jackson, GA, 30233, USA

Contact Number: +1-678-688-5601

Email Address: CustomerService@BGEquip.com

