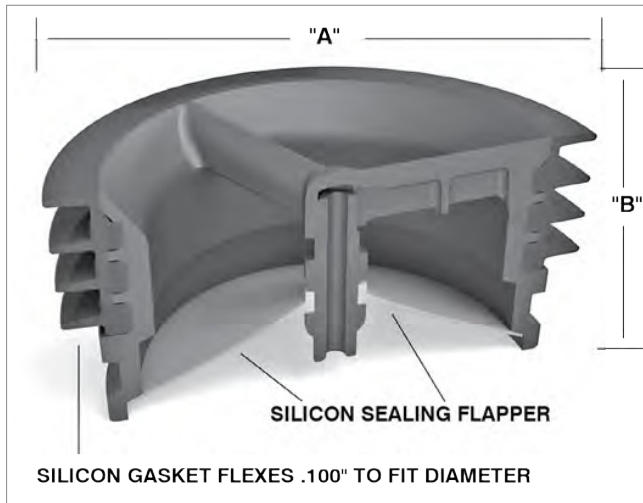


# GREEN DRAIN

## FLOOR DRAIN TRAP SEAL

**Specification:** LiquidBreaker's GreenDrain Series inline floor drain trap seal with UV resistant ABS plastic frame, silicon rubber sealing flapper and four flexible sealing ribs. Tested and certified to the ASSE 1072 Standard and listed with IAPMO and I.C.C. Specify connection size (2", 3", 3 1/2" or 4")

**Function:** Used in the outlet connections of floor drain bodies, or the inside of floor drain strainers to seal the opening to prevent odors, sewer gases, and insects from entering up through the floor drain grate. The GreenDrain's four flexible silicone sealing ribs ensure easy installation into openings that have variations in size. The Green Drain will open to allow drainage and close when there is no water flow. The GreenDrain can be used in either new construction or retro-fit applications where trap primers were never installed.



| MODEL NUMBER | "A"<br>(PIPE SIZE) | "B"<br>(HEIGHT) |
|--------------|--------------------|-----------------|
| GD102        |                    | 2" (51)         |
| GD103        | 3" (76)            | 2" (51)         |
| GD1035       | 3 1/2" (89)        | 2" (51)         |
| GD104        | 4" (102)           | 2" (51)         |

U.S. Patent #7,900,288

Prevents the following from entering through the top of floor drains:

- Odors and sewer gases
- Insects



**WEBSITE:** [www.LiquidBreaker.co](http://www.LiquidBreaker.co)  
**TUTORIAL VIDEO:** [www.youtube.com/liquidbreakerco](http://www.youtube.com/liquidbreakerco)

**FOR SALES:**  
**Diversified Sales and Marketing**  
[www.divsales.com](http://www.divsales.com)