

Professional Glueboard Insect Control

Please read these instructions carefully and store in a safe place for future reference.

HALO

As part of the **Synergetic**® brand of insect control products, **Halo** is a versatile professional flylight which utilizes high powered dual wavelength **Synergetic**® UV bulbs and is designed for use with a high specification **glupac**® glueboard to retain the caught insects for inspection or hygienic disposal. **Halo** is available as a slimline 15, 30 or 45W model which can be wall or desk mounted. ** For demanding environments, Halo Aqua, an IP45 rated model, is also available.

CONTENTS OF PACKAGE

- 1 x Halo flylight
- 1x Glupac® glueboard
- 1 x Removable aluminum debris tray
- 1/2/3 x High powered Synergetic® UV bulbs (Fitted)
- 1/2 x Attractant trays
- 4 x Screws and wall anchors
- 1 x Servicing key fob and mains cable tidy tie wrap wire

WARNING - THIS APPLIANCE MUST BE GROUNDED

INSECT CONTROL PRODUCTS

WARNING Skin or eye damage may result from direct exposure to ultraviolet light over prolonged periods. Always turn off the bulbs before any form of servicing.

WARNING Not to be used by children or persons with reduced physical, sensory or mental capabilities, or lack of experience and knowledge, unless they have been given supervision or instruction.

WARNING Children should be supervised to ensure they do not play with the appliance.

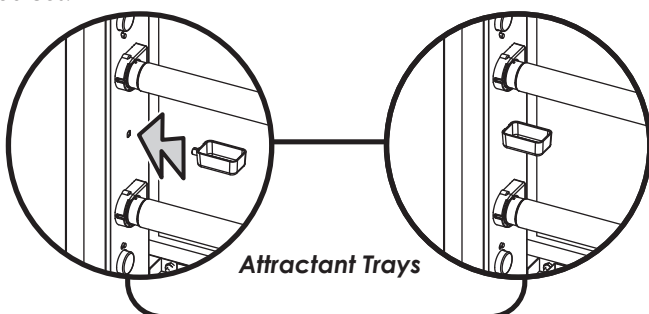
WARNING Halo must only be used in areas which are free of dust and any possible explosive vapor mixture, is suitable for indoor use only and is not suitable for use in barns, stables and similar locations.

POSITIONING AND GUIDANCE FOR USE

HALO 15, 30 & 45 IS FOR COMMERCIAL INDOOR USE ONLY. DEVICE NOT CONSTRUCTED FOR USE OUTDOORS OR IN WET LOCATIONS.

Halo should ideally be fixed around seven feet above the ground, preferably in the darkest place within the area to be protected. **ENSURE THERE IS A MINIMUM OF 22" BETWEEN ONE SIDE OF HALO AND THE ADJACENT SURFACE, TO PROVIDE ENOUGH SPACE TO INSERT THE GLUEBOARD (SEE MOUNTING INSTRUCTIONS.)** Do not position the unit close to windows, skylights or other sources of light, or where it may be obscured by furniture, doors or other obstacles. Ideally, **Halo** should be visible from every part of the area to be protected.

Halo should ideally be in operation for 24 hours a day, ensuring your premises are kept free of flying insects. Insects are most attracted to **Halo** at night when there is no competition from daylight or other light sources.



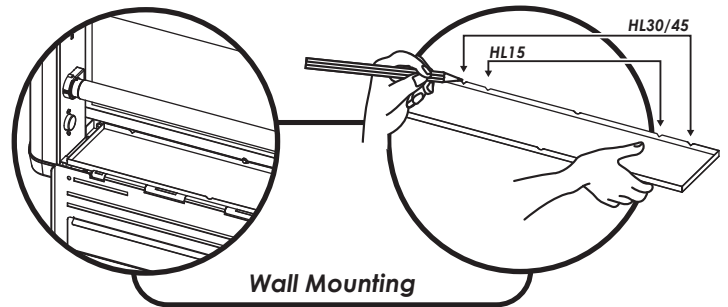
INSTALLATION

INSTALLATION SHOULD BE CARRIED OUT BY SERVICE PERSONNEL.

To ensure **Halo** reaches you in perfect condition, a protective film covers the aluminum door. Remove this film before use.

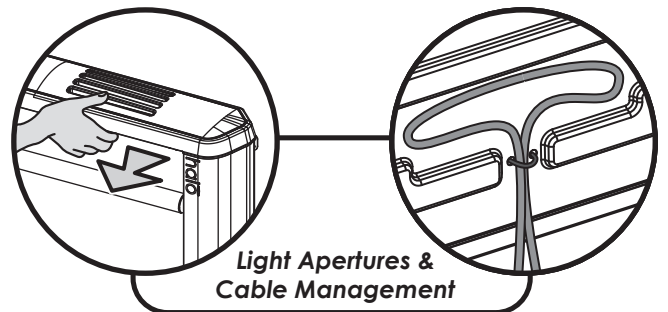
For wall mounting, use the supplied wall mounting anchors and screws, making sure correct wall anchors are used for specialist mounting materials, such as drywall.

Wall Mounting - For Halo 30 and 45, use the two outer cut outs on the debris tray to mark the correct wall mounting points, and for the Halo 15 use the inner cut outs as pictured.



Desk mounting - Halo can be installed onto a horizontal surface by using the two specially designed black steel feet. The feet can be secured in position by using the two plastic fixing pins.**

Once **Halo** is installed in position, fit the **glupac**® glueboard in place as described in the glueboard replacement section of this document. Finally, connect the plug on the end of the mains lead to an appropriate power supply. Use the supplied black mains cable tidy tie wrap wire to hide any excess mains cable behind the product if required.



To maximise the effectiveness of **Halo** in catching flying insects, the top of the product has light apertures to increase the UV irradiance emitted from the product. However, these apertures can be covered to protect the glueboard from debris and prolong its life, by simply sliding the reflective aluminum cover forward.

To maximise the attractancy potential of **Halo**, attractant trays have been provided, which can be used to hold additional attractants. The tray(s) should be installed into the holes found on the inside face of the chassis. **SOLID ATTRACTANTS ONLY SHOULD BE USED TO REDUCE THE RISK OF LIQUIDS GETTING INTO THE ELECTRICS.**

CLEANING

CLEANING SHOULD BE CARRIED OUT BY SERVICE PERSONNEL ONLY, AFTER ENSURING THAT THE UNIT IS DISCONNECTED FROM THE MAINS SUPPLY.

It is recommended that cleaning is carried out regularly when the glueboard is replaced. Once the glueboard is removed, the unit should be thoroughly wiped down with a damp cloth, removing any build up of dirt. Ensure the unit is completely dry before reconnecting it to the power supply.

GLUEBOARD REPLACEMENT

GLUEBOARD REPLACEMENT SHOULD BE CARRIED OUT BY SERVICE PERSONNEL ONLY, AFTER ENSURING THAT THE UNIT IS DISCONNECTED FROM THE MAINS SUPPLY.

The glueboard should be replaced every month with a genuine glupac® glueboard. Use of non-approved glueboards may invalidate your warranty. **Halo** comes supplied with discreet black glueboards with printed grids for simple insect evaluation and monitoring. High efficacy replacement yellow glueboards are available.

To replace the glueboard...

1. Remove the used glupac® glueboard by simply pulling it clear from either the left or right of the unit.
2. HALO 15 ONLY - Tear the GB015 glueboard in half along the perforation line, retaining the second half for the next service cycle.
3. Remove the protective release paper from the new glupac® glueboard.
4. Slowly slide the new glupac® glueboard into position, until the glueboard 'drops' into the locator, indicating it is in the center of the unit.

Always ensure the selected genuine glupac® glueboards are compatible with your unit, available from your Pest Management Professional, or Pelsis.

BULB REPLACEMENT

BULB REPLACEMENT SHOULD BE CARRIED OUT BY SERVICE PERSONNEL ONLY, AFTER ENSURING THAT THE UNIT IS DISCONNECTED FROM THE MAINS SUPPLY.

To ensure the efficiency of **Halo** in catching flying insects, the UV bulbs should be replaced annually. After twelve months the phosphor coating that emits the correct wavelength of UV light has burnt away and the UV output is diminished substantially.

To replace the UV bulbs...

1. Open the swing down front guard, by using the supplied servicing key fob.
2. Rotate the bulb through 90°, freeing it from the bulb holders.
3. Pull the bulb away from the chassis.
4. Dispose of the used UV bulb in conjunction with local regulations.

STARTER REPLACEMENT

STARTER REPLACEMENT SHOULD BE CARRIED OUT BY SERVICE PERSONNEL ONLY, AFTER ENSURING THAT THE UNIT IS DISCONNECTED FROM THE MAINS SUPPLY.

The starters provide an extra spark to initially light the UV bulbs. Starters wear out and should be replaced at the same intervals as the UV bulbs.

To replace the starters...

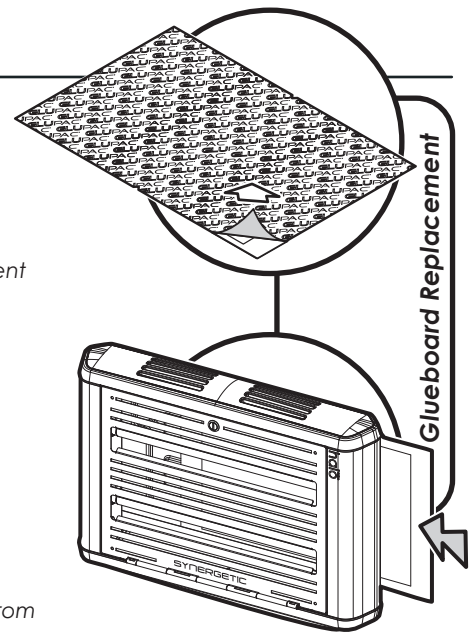
1. Rotate the starter counter-clockwise.
2. Pull the starter free from the unit.

WARRANTY

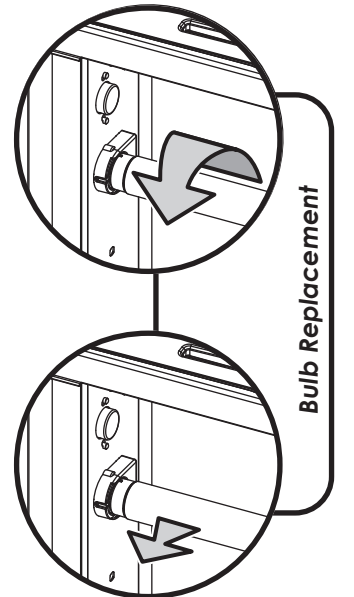
Halo has a three year warranty and if maintained as recommended in these instructions should continue to work for many years.* Use of non-approved consumables may invalidate the warranty. Ensure genuine glupac® glueboards are used in conjunction with this product.

*Excludes bulbs, glueboards and starters. Does not cover breakdown due to misuse, incorrect operation or use in an incorrect application.

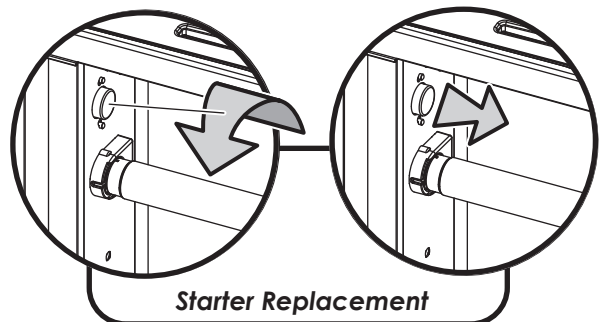
** Desk mount feet and feet fixing pins are available if required, please contact Pelsis or your supplier.



Glueboard Replacement



Bulb Replacement

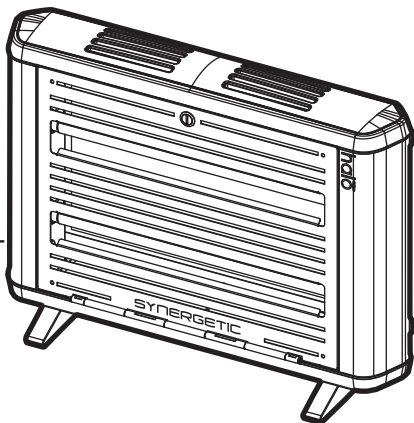
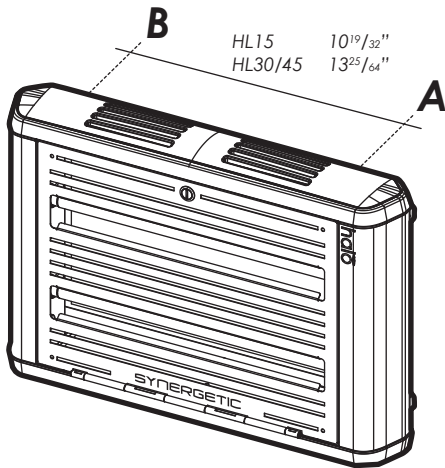
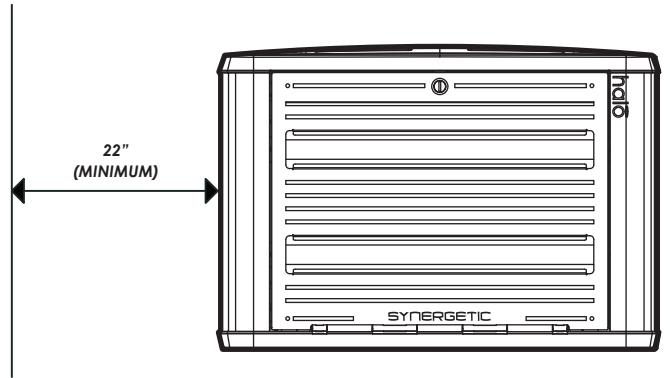
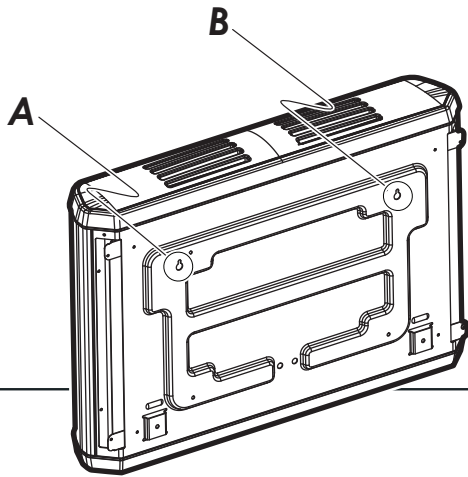


Starter Replacement

SPECIFICATION / REPLACEMENT PARTS

Unit	Halo 15	Unit	Halo 30	Unit	Halo 45
Voltage	110V ~ 60Hz	Voltage	110V ~ 60Hz	Voltage	110V ~ 60Hz
Dimensions(")	23 ⁵ / ₃₂ x 9 ⁴⁹ / ₆₄ x 4 ⁶¹ / ₆₄	Dimensions(")	23 ⁵ / ₃₂ x 15 ²⁹ / ₃₂ x 4 ⁶¹ / ₆₄	Dimensions(")	23 ⁵ / ₃₂ x 15 ²⁹ / ₃₂ x 4 ⁶¹ / ₆₄
Coverage	430 Sq. Feet	Coverage	860 Sq. Feet	Coverage	1,300 Sq. Feet
Weight	10 lbs	Weight	12 ¹ / ₂ lbs	Weight	14 ¹ / ₃ lbs
Light Output	15W	Light Output	30W	Light Output	45W
Bulbs	1 x TGX15-18	Bulbs	2 x TGX15-18	Bulbs	3 x TGX15-18
Starter	1 x I154	Starters	2 x I154	Starters	3 x I154
Glueboards (x6)	GB015 (Black)	Glueboards (x6)	GB012 (Black) GB011 (Yellow)	Glueboards (x6)	GB012 (Black) GB011 (Yellow)

Professional Glueboard Insect Control



Desk mount feet optional

