

Luralite

Decorative Glueboard Insect Control

Please read these instructions carefully and store in a safe place for future reference.

LURALITE

As part of the P+L brand of insect control products, **Luralite** is an easy to service and highly effective decorative insect control unit for use within front of house applications. **Luralite** utilises highly effective UV tubes and is designed for use with a high specification glupac™ glueboard. Two sizes of unit are available - The compact **Luralite Cento**, (which is available in four different colour options,) and the highly effective **Luralite Professional**.

Contents of package

- 1 x Luralite flykiller
- 1 x glupac™ pheromone impregnated glueboard
- 2 x Screws and wall plugs
- 1 x PL-L compact 18W tube (fitted)
or
- 2 x 15W High powered insect attractive UV tubes (fitted)

WARNING - THIS APPLIANCE MUST BE EARTHED

INSECT CONTROL PRODUCTS

Luralite utilises high powered ultra violet tubes to attract flying insects and retains the caught insects on a pheromone impregnated glueboard for inspection or hygienic disposal.

POSITIONING

THIS UNIT IS FOR INDOOR USE ONLY.

Luralite should ideally be fixed around two metres above the ground, preferably in the darkest place within the area to be protected and is supplied with a two meter mains lead. Do not position the unit close to windows, skylights or other sources of light, or where it may be obscured by furniture, doors or other obstacles. Ideally, **Luralite** units should be visible from every part of the area to be protected.

INSTALLATION

PRIOR TO INSTALLATION, ENSURE THE POWER SUPPLY OF YOUR MAINS OUTLET CORRESPONDS TO THAT MARKED ON THE SPECIFICATION LABEL FOUND ON THE FLYKILLER.

Luralite should be fixed to the wall with the supplied wall plugs and screws. Once installed in position, fit the glupac™ glueboard in position as described in the glueboard replacement section of this document. **Luralite** has a plug fitted to the mains lead and once installed in position, should be plugged into the nearest mains outlet.

WARNING - THIS APPLIANCE MUST BE EARTHED

USING LURALITE

Luralite should ideally be in operation for 24 hours a day, ensuring your premises are kept free of flying insects. Insects are most attracted to **Luralite** at night when there is no competition from daylight or other light sources.

CLEANING

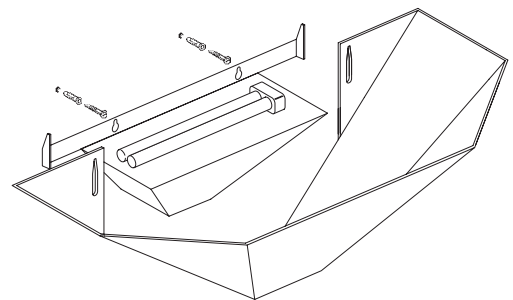
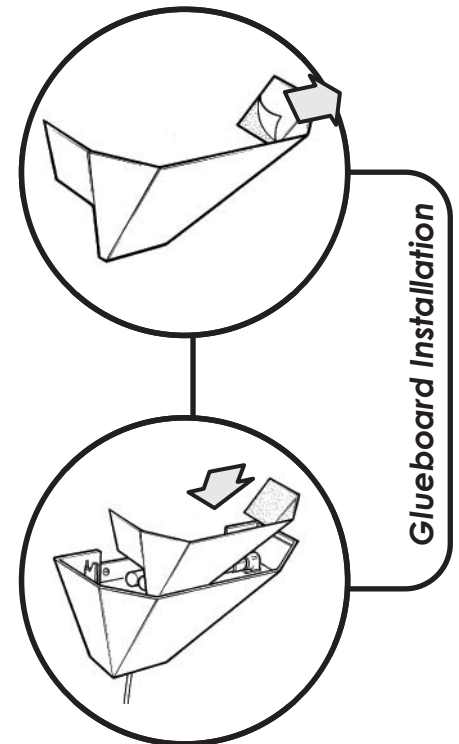
ENSURE THAT THE FLYING INSECT KILLER IS DISCONNECTED FROM THE MAINS BEFORE CLEANING.

It is recommended that cleaning is carried out regularly when the glueboard is replaced. Once the glueboard is removed, the unit should be thoroughly wiped down with a damp cloth, removing any build up of dirt. Ensure the unit is completely dry before reconnecting it to the power supply.

GUARANTEE

Luralite has a two year guarantee and if maintained as recommended in these instructions should continue to work for many years.* Use of non-approved consumables may invalidate the guarantee. Ensure genuine glupac™ glueboards are used in conjunction with this product.

*Excludes tubes, glueboards and starters. Does not cover breakdown due to misuse, incorrect operation or use in an incorrect application.



Luralite

GLUEBOARD REPLACEMENT

BEFORE REPLACING THE GLUEBOARD, ALWAYS ENSURE THAT THE UNIT IS DISCONNECTED FROM THE MAINS SUPPLY.

The glueboard should be replaced every month with a genuine glupac™ glueboard. Use of non-approved glueboards may invalidate your guarantee.

To replace the glueboard...

1. Remove the used glupac™ glueboard by simply sliding it out from the top of the unit and either retain for catch evaluation or dispose of it hygienically.
2. Remove the protective release paper from the new glupac™ glueboard.
3. Slowly slide the new glupac™ glueboard into position with the adhesive side facing the tube(s).

Always ensure the selected genuine glupac™ glueboards are compatible with your unit, available from your PCO or P+L Systems Ltd.

TUBE REPLACEMENT

BEFORE REPLACING THE TUBE(S), ALWAYS ENSURE THAT THE UNIT IS DISCONNECTED FROM THE MAINS SUPPLY.

To ensure the efficiency of **Luralite** in catching flying insects, the UV tube(s) should be replaced annually. After twelve months the phosphor coating that emits the correct wavelength of UV light has burnt away and the UV output is diminished substantially.

To replace the UV tube(s)...

Luralite Cento

1. Pull the tube gently from the tube holder until it un-clips.
2. Gently rotate the tube until it becomes free from the tube support.
3. Reverse the process with the replacement tube.

Luralite Professional

1. Rotate the tube through 90 degrees.
2. Gently pull the tube away from the unit.
3. Reverse the process with the replacement tube.

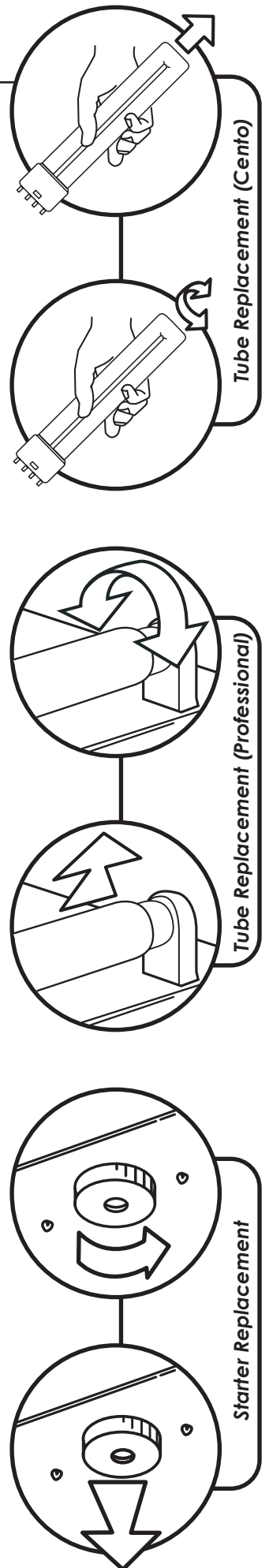
STARTER REPLACEMENT

BEFORE REPLACING THE STARTER(S), ALWAYS ENSURE THAT THE UNIT IS DISCONNECTED FROM THE MAINS SUPPLY.

The starter(s) provide(s) an extra spark to initially light the UV tube(s). Starter(s) wear out and should be replaced at the same intervals as the UV tube(s).

To replace the starter(s)...

1. Remove the glueboard from the units described above.
2. Rotate the starter anti-clockwise.
3. Pull the starter free from the unit.



SPECIFICATION / REPLACEMENT PARTS

Unit	Luralite Cento	Unit	Luralite Professional
Voltage	230V ~ 50Hz	Voltage	230V ~ 50Hz
Dimensions(mm)	465 x 170 x 200	Dimensions(mm)	730 x 210 x 200
Coverage	25 Sq. Metres	Coverage	50 Sq. Metres
Weight	1.5 Kg	Weight	2.5 Kg
Light Output	18W	Light Output	30W
Tubes	1 x I815	Tubes	2 x I616
Starter	1 x I154	Starter	2 x I154
Glueboards (x6)	INL118	Glueboards (x6)	INL121
Wall Fixing points	190mm	Wall Fixing Points	380mm

R1 01/08

Decorative Glueboard Insect Control