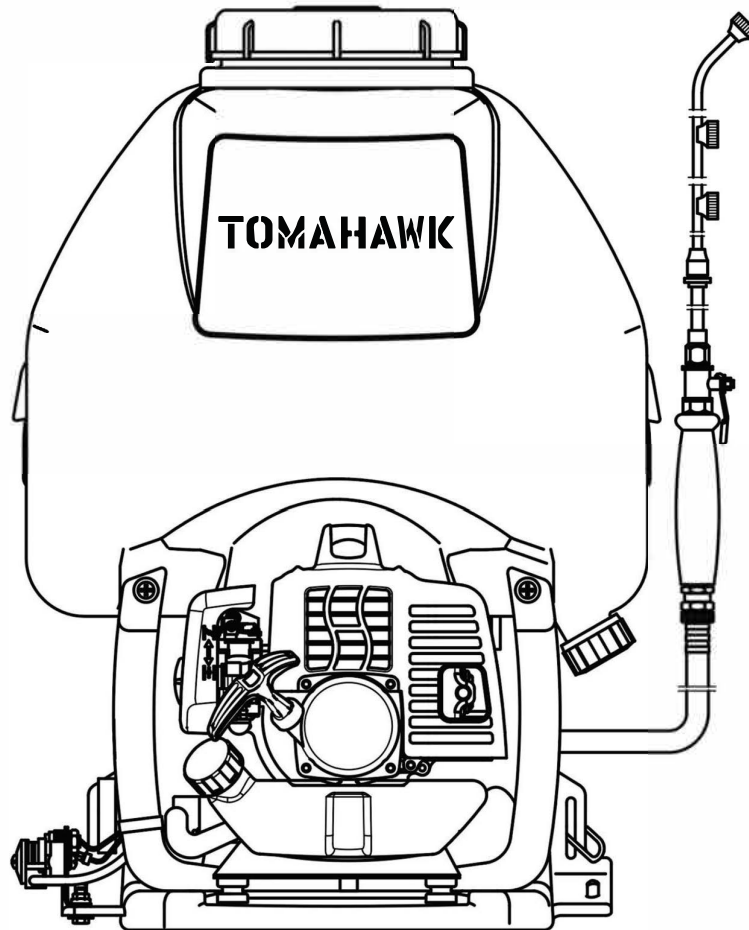


TOMAHAWK

TCS6.5
BACKPACK CONCRETE SPRAYER

Parts Manual



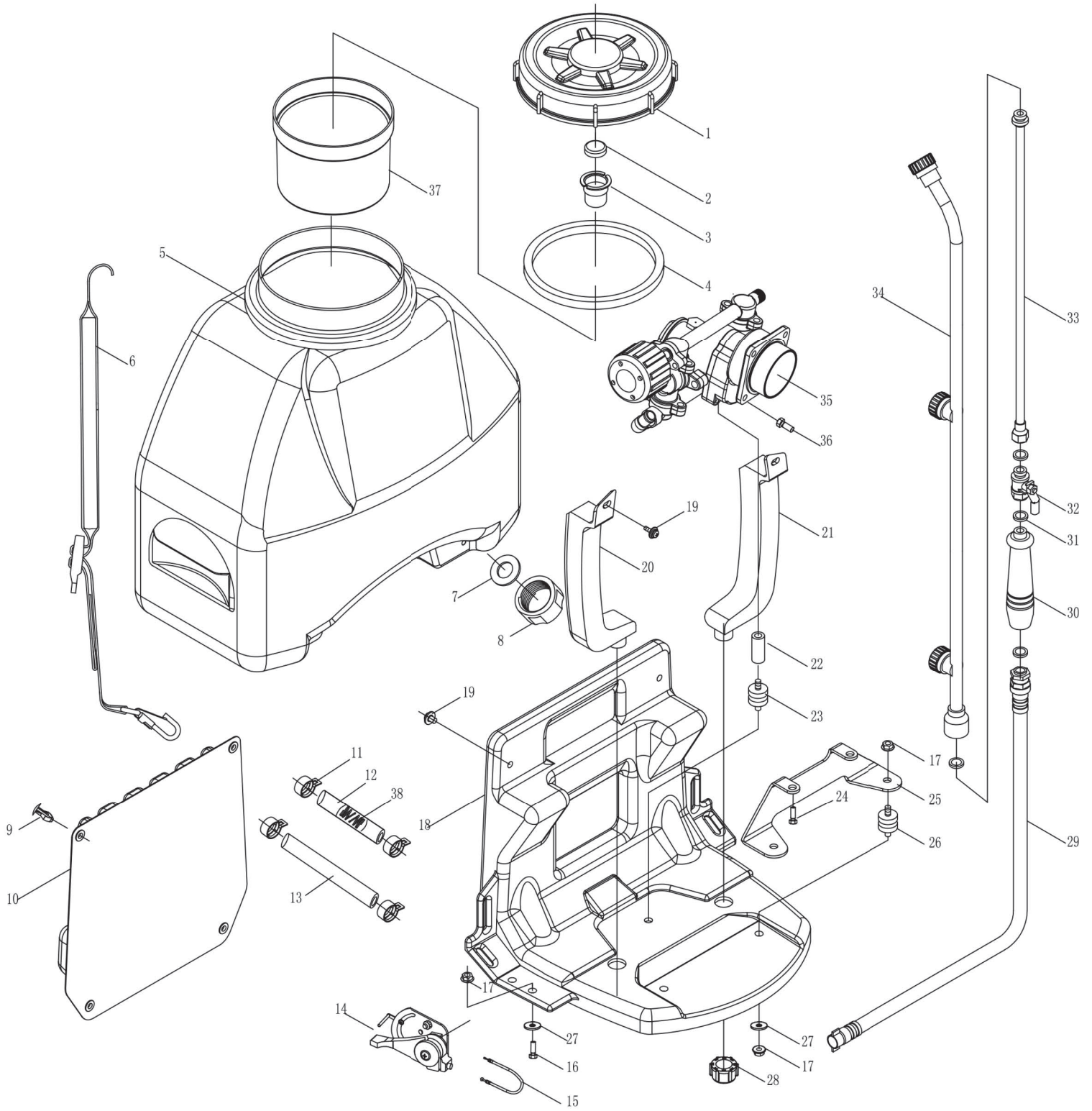
For safe operation follow all safety precautions in Instruction Manual. Improper use can cause serious injury.

⚠ WARNING

FOR USE WITH WATER-BASED OR WATERBORNE COMPOUNDS ONLY.

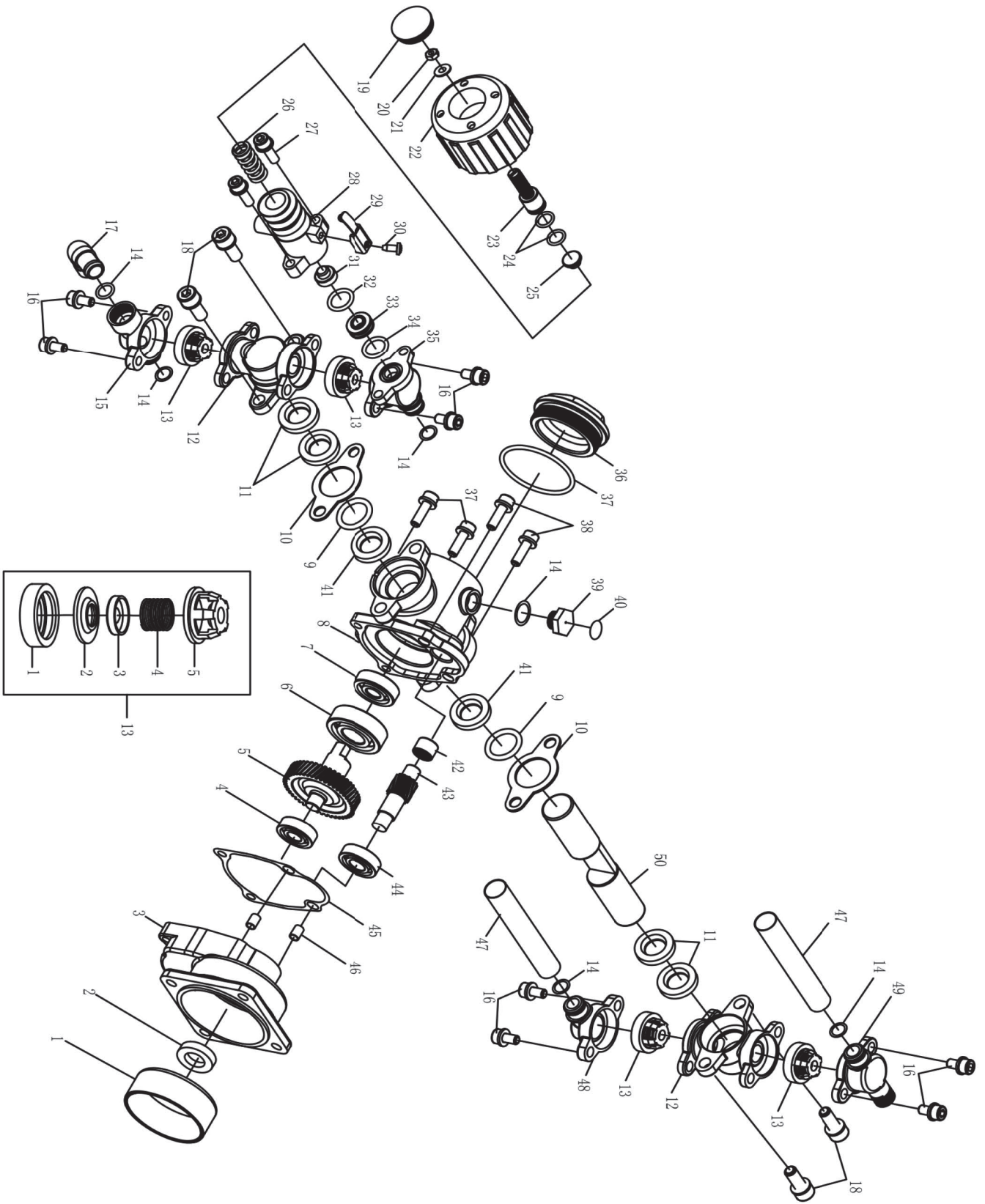
DO NOT SPRAY SOLVENT BASED OR EXPLOSIVE LIQUIDS. FAILURE TO COMPLY MAY CAUSE SERIOUS BODILY HARM OR DEATH.

READ OWNER'S MANUAL BEFORE OPERATION



NO.	Part NO.	Part Name	Qty.
1	3WZ-6.5.2-1	LID	1
2	3WZ-4.7.1-3	LID	1
3	3WZ-4.7.1-4	LID	1
4	3WF-8.1-1	SEALING WASHER	1
5	3WZ-6.5.1	CHEMICAL TANK	1
6	3WZ-9.2	BANDS ASSM	2
7	3WF-3A.1-2	SEALING WASHER	1
8	3WZ-6.5-1	LID	1
9	3WF-14-13	PLASTIC CLICK	4
10	3WZ-9.1	BACK DACK ASSM	1
11	QC/T621 Q673B15	CLIP	4
12	GB13527.1LS-10×2.5×140	TUBE	1
13	GB13527.1LS-10×2.5×340	TUBE	1
14	3WZ-9.5	SWITH	1
15	3WZ-4C.3	FREL THROTTLE	1
16	GB/T29.2+GB/T96	SCREW ASSY M6×20	2
17	GB/T6177.1 M6	NUT M6	7
18	3WZ-6-4	FRAME	1
19	GB/T823+GB/T96	SCREW M6×12	4
20	3WZ-6-9	LEFT SUPPORT	1
21	3WZ-6-5	RIGHT SUPPORT	1
22	3WZ-9-1	SUPPORT MOUNT	1
23	3WZ-7B.2B	RUBBER MOUNT	1
24	GB70+GB93+GB97	SCREW ASSEM 5×20	2
25	3WZ-6F-1C	CONNECT PLATE	1
26	3WZ-6.1	RUBBER MOUNT	2
27	GB/T 96	WASHER 6	5
28	3WZ-6-2	PLASTIC NUT	2
29	3WZ-6.6	RUBBER TUBE ASSY	1
30	3WZ-4.11	HANDLE	1
31	3WZ-4-10	SEAL RING	4
32	3WZ-4.12	VALVE	1
33	3WZ-4.13	STAIGHT SPRAYING TUBE	1
34	3WZ-4.14	LONG NOZZLE	1
35	3WZ-7B.5	PISTON PUMP	1
36	GB/T 9074.13	SCREW M6×16	4
37	3WZ-7.2.2	FILTER ASSM	1
38	3WZ-4.7.4-2A	SPRING	1



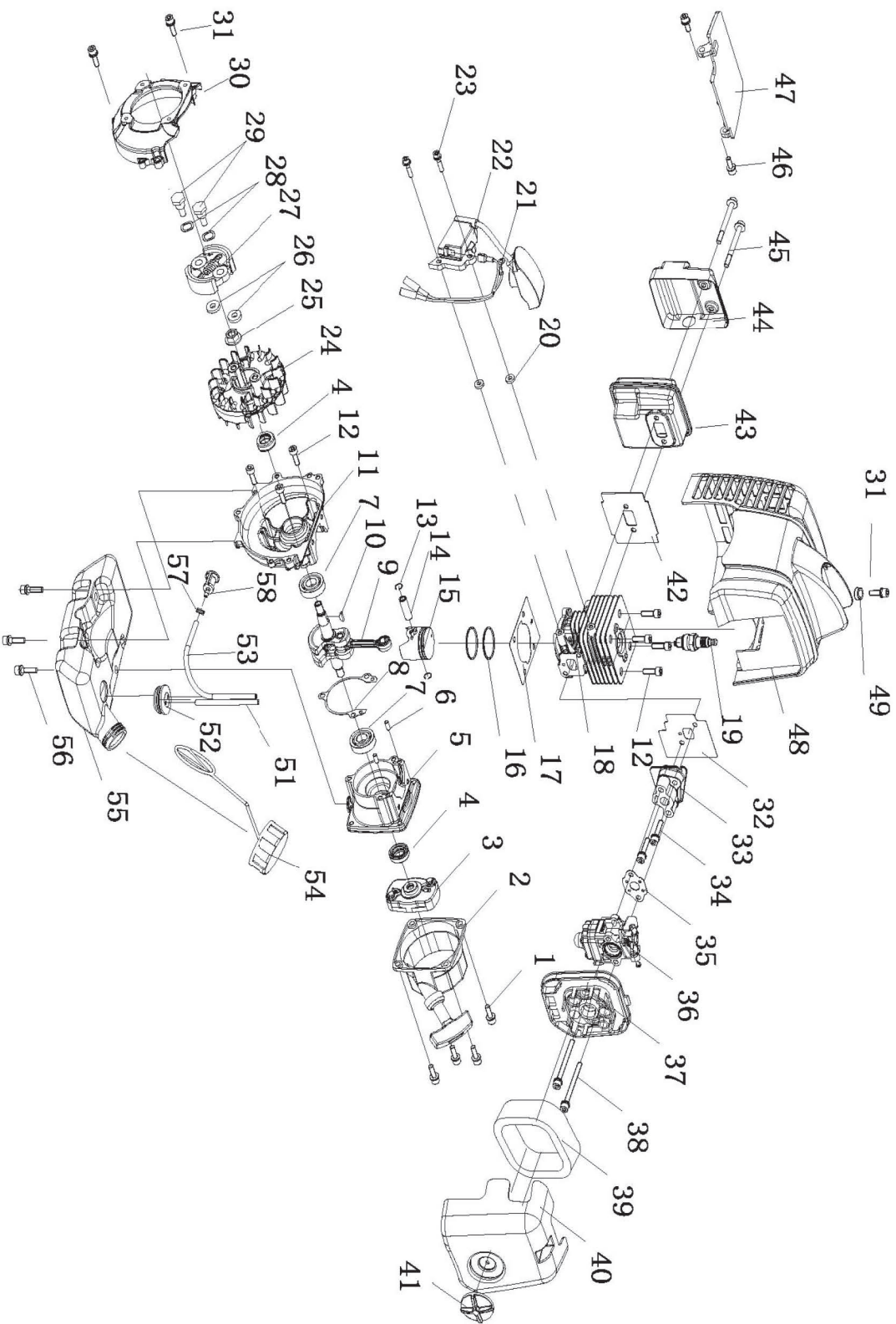


NO.	Part NO.	Part Name	Qty.
1	3WZ-7B.5-1	CLUTCH DRUM COVER	1
2	1E36F.2	SEAL	1
3	3WZ-7B.5.1-1	CONNECTING BASE	1
4	GB/T276	BEARING 6000/P6	1
5	3WZ-7B.5.1-4	WHEEL	1
6	GB/T276(17x42x12)	BEARING 6203x3	1
7	GB/T276(10x32x9)	BEARING 6200x1	1
8	3WZ-7B.5.1-2	NOUMENON	1
9	GB/T3452.1	O-RING 21.2×1.8	2
10	3WZ-7B.5-6	BAFFLE	2
11	3WZ-7B.5.3-4	WATER SEAL	4
12	3WZ-7B.5.3-3	CYLINDER STATOT	2
13	3WZ-7B.5.2A	CHECK VALVE	4
14	GB/T6659	O-RING 10×2	6
15	3WZ-7B.5.4-1	WATER CHAMBER B	1
16	GB70.1+GB93	SCREW ASSM M6X12	8
17	3WZ-7B.5-5	WATER INLET	1
18	GB70.1+GB93	SCREW ASSM M8X20	4
19	3WZ-7B.5.5-8	HANDLE CAP	1
20	GB6172	NUT M8	1
21	GB97.1	WASHER 8	1
22	3WZ-7B.5.5-1	HANDLE	1
23	3WZ-7B.5.5-3	REGULATING SCREW	1
24	GB/T6659	O-RING 10×1.8	2
25	3WZ-7B.5.5-6	SPRING SEAT 2	1
26	3WZ-7B.5.5-5	SPRING	1
27	GB70.1	SCREW ASSM M6X16	2
28	3WZ-7B.5.5-2	VALVE	1
29	3WZ-7B.5.5.1	BATTER BOARD	1
30	GB845ST4.2X10	SCREW ASSEM	1
31	3WZ-7B.5.5-4	SPRING SEAT 1	1
32	GB3452.1	O-RING 12.5×2.65	1
33	3WZ-7B.5.5-7	VALVE SEAT	1
34	GB3452.1	O-RING 11.8×1.8	1
35	3WZ-7B.5.3-2	DISCHARGE METAL A	1
36	3WZ-7B.5-3	BOX BACK COVER	1
37	GB/T3452.1	O-RING 46.2×2.65	1
38	GB70.1+GB93	SCREW ASSM M6X20	4



NO.	Part NO.	Part Name	Qty.
39	3WZ-7B.5-2A	BOLT	1
40	3WZ-7B.5-7	PASTER	1
41	3WZ-7B.5.1-7	OIL SEAL	2
42	GB/T290 HK1010	BEARING	1
43	3WZ-7B.5.1-3	GEAR SHAFT	1
44	GB/T276	BEARING 6001 P5	1
45	3WZ-7B.5.1-6	SEALING WASHER	1
46	6MF-30.1-14	PIN	2
47	3WZ-7B.5-4	TUBE	2
48	3WZ-7B.5.3-1	WATER CHAMBER A	1
49	3WZ-7B.5.4-2	DISCHARGE METAL B	1
50	3WZ-7B.5.1-5	PLUNGER	1
13-1	3WZ-7B.5.2-1	BALL SEAT	1
13-2	3WZ-7B.5.2-2	VALVE DISK	1
13-3	3WZ-7.5.2-3	VALVE BLOCK	1
13-4	3WZ-7B.5.2-4A	VALVE SPRING	1
13-5	3WZ-7B.5.2-5	VALVE BONNET	1





NO.	Part NO.	Part Name	Qty.
1	GB70.1+GB93+GB97	Screw M5×16	4
2	P23.10A	Starter	1
3	P23.9A	Guide Cover Ass'y	1
4	1E36F.2	Oil seal	2
5	P23.11-2	Crank case R	1
6	GB/T119.1	Pin 4×h8×8	2
7	GB/T276	Bearing 6001/P53	2
8	P23.11-3	Gasket crank case	1
9	P23.6A.1	Crank shaft assy	1
10	1E40FP-3Z.3-1	Key	1
11	P23.11-1	Crank case F	1
12	GB/T70.1	Screw M5×16	7
13	1E34F.6-2	Ring snap	2
14	1E31F.4-2	Piston pin	1
15	P23.6A-1	Piston	1
16	P23.6-2	Ring piston	2
17	P23-2	Gasket cylinder	1
18	P23-1	Cylinder	1
19	CMR6A	Spark plug	1
20	P40-5	Spacer lg coil	2
21	1E40F-5.3.1	Wire lead assy	1
22	HP23.2.1-SZ.2	IG coil	1
23	GB70.1+GB93+GB97	Screw M4×20	2
24	HP23.2.1-SZ.1	Rotor magnet	1
25	GB/T6177	Nut M8	1
26	1E34F-11	Wave washer	2
26A	1E34F.10	Clutch assy	1
27	1E34F-13	Washer	2
28	1E34F-12	Clutch bolt	2
29	HP23-1	Fan Cover	1
30	GB70.1+GB93+GB97	Screw M5×18	3
31	P23-7	Gasket insulator	1
32	P23.3	Insulator	1
33	GB70.1+GB93+GB97	Screw M5×25	2
34	1E36F-2A-1	Gasket carburetor	1
35	1E34F-2E.1A	Carburetor	1
36	1E34F.1.1	Cleaner base assy	1
37	GB70.1+GB97.1	Screw M5×60	2
38	1E34F.1-1	Air filter element	1



NO.	Part NO.	Part Name	Qty.
39	HP23.1-1	Cover Cleaner	1
40	1E34FG.1.1	Knob cover	1
41	1E34F-3	Gasket muffler	1
42	1E34F-2E.2	Muffler	1
43	HP23-5A	Cover	1
44	HP23-8	Screw M5×55-10.9	2
45	GB70.1+GB93+GB97	Screw M5×14	2
46	HP23-2	Clapboard	1
47	HP23.3	Top cover	1
48	1E33F-4	Spacer lg coil	1
49	GB70.1+GB93+GB97	Screw M5×18	1
50	1E44F-E.5.1-2-EPA	Fuel Pipe $\phi 5 \times \phi 2.5 \times 100$	1
51	1E36FF.8.1-1	Plug	1
52	1E44F-E.5.1-1-EPA	Fuel Pipe $\phi 5.5 \times \phi 3 \times 165$	1
53	1E32FL.6.2B	Tank cap assy	1
54	HP23.6.1	Fuel tank	1
55	GB70.1+GB93+GB97	Screw M5×16	3
56	P23.12-1	Snap Rings	1
57	P40.12.2-3A	filter	1



TOMAHAWK

www.tomahawk-power.com

Customer Service

(866) 577-4476

sales@tomahawk-power.com

San Diego, California USA

© Tomahawk Power, LLC. All rights reserved. Tomahawk Power logos are registered trademarks, or trademarks, of Tomahawk Power, LLC. in the U.S. and/or other countries.